

Instructional Manual

Rev c1.1 12-23-2011

for
JLD-612/ TET-612 PID Temperature Controller



ColdfusionX

1. Product Highlight

Thermocouple supported: T, R, J, B, S, K, E, Wre3-Wre25.

Thermo Resistor supported: Pt100, Cu50.

Five ways outputs:

- Two Relay alarms output
- Two Relay output(J1), one PID relay output (J2, N.O.)
- Two Relay alarm output, and one PID SSR signal output (for an external SSR).
- Two Relay alarm output, and one PID SSR feedback output (for s SSR).
- Once Relay alarm output (J1), one Relay control (J2).

Time proportional PID controlled output to either a Relay output or the SSR control output.

Temperature can be set to display in either Fahrenheit or Celsius.

Manual control is capable

2. Specifications

Operating supply voltage: AC85-265V or DC85-360V.

Power consumption: =< 2 Watt.

Sampling speed: 4/sec.

SSR activated voltage: open circuit: 6V; short circuit: 40mA.

Accuracy: 0.2% of full scale.

LED Display: 0.28 inch; Red color.

Out of range indication: "EEEE".

Ambient temperature requirement: 0~+50 Deg C.

Humidity requirement: =< 85% RH.

Relay Contact : AC220V / 3A.

Controller dimension: 48x48x82(mm).

Opening for installation: 45x45(mm).

3. Panel Illustrations and Descriptions



Figure 1

- 1 -- AL1, relay J1 indicator.
- 2 -- AL2, relay J2 indicator.
- 3 -- AT, blanking during auto tuning process.
- 4 -- Out, output indicator.
- 5 -- Setting / Confirm.
- 6 -- Digit select / Auto tuning.
- 7 -- Select next parameter / value increment.
- 8 -- Selection previous parameter / value decrement.
- 9 -- Target value.
- 10-- Current value.

4. Parameter Setting

- i Press (SET) to enter setting mode, enter "0089", then press (SET) again.
- ii Press (v) and/or (^) and then (SET) to select parameters.
- iii Press (SET) to confirm entry or to select
- iv Press (^) to until "End" appear in red display to exit parameter setting loop.

a) Initialization parameter setting loop.

Table 1. Initialization Parameters:

Symbol	Description	Range	Default	Comment
<i>int_Y</i>	Temp. sensor	See table 2	Pt10.0	
<i>out_Y</i>	Method of controlled output	0,1,2,3,4	2	Note 1
<i>H_Y</i>	Step-Type Feedback	0-9999	0.3	
<i>P_Sb</i>	Temp sensor error correction coefficient	-1000~1000 deg C	0	
<i>r_d</i>	Heating=0;Cooling=1	0,1	0	
<i>C_or_F</i>	Celsius=0;Fahrenheit=1	0,1	0	
<i>E_nd</i>	Exit			

Table 2. Temperature Sensor Type:

Symbol	Description	Range	Comment
T	T Thermocouple	-200 ~ 4000	Internal Resistant 100k
R	R Thermocouple	-50 ~ 1600	Internal Resistant 100k
J	J Thermocouple	-200 ~ 1200	Internal Resistant 100k
WRe	WRe Thermocouple	0 ~ 2300	Internal Resistant 100k
B	B Thermocouple	350 ~ 1800	Internal Resistant 100k
S	S Thermocouple	-50 ~ 1600	Internal Resistant 100k
K	K Thermocouple	-200 ~ 1300 C -328 ~ 2372 F	Internal Resistant 100k
E	E Thermocouple	-200 ~ 900	Internal Resistant 100k
P100	P10.0 Thermo Resistor	-200.0 ~ 600.0	Constant Output 0.2mA
Pt100	Pt100 Thermo Resistor	-200 ~ 600	Constant Output 0.2mA
Cu50	Cu50 Thermo Resistor	-50.0 ~ 150.0	Constant Output 0.2mA

<- Pt100

Note: if a wrong probe is using, it may cause “EEE.E” error. Default is “K”

Probe Connection:

For J, K or any two wires probe, connection terminals are #9, #10

For Pt-100 probe (3 wires), the red wire is connected to #8, and the two blues are connected to #9, #10

Output setting ‘OutY’

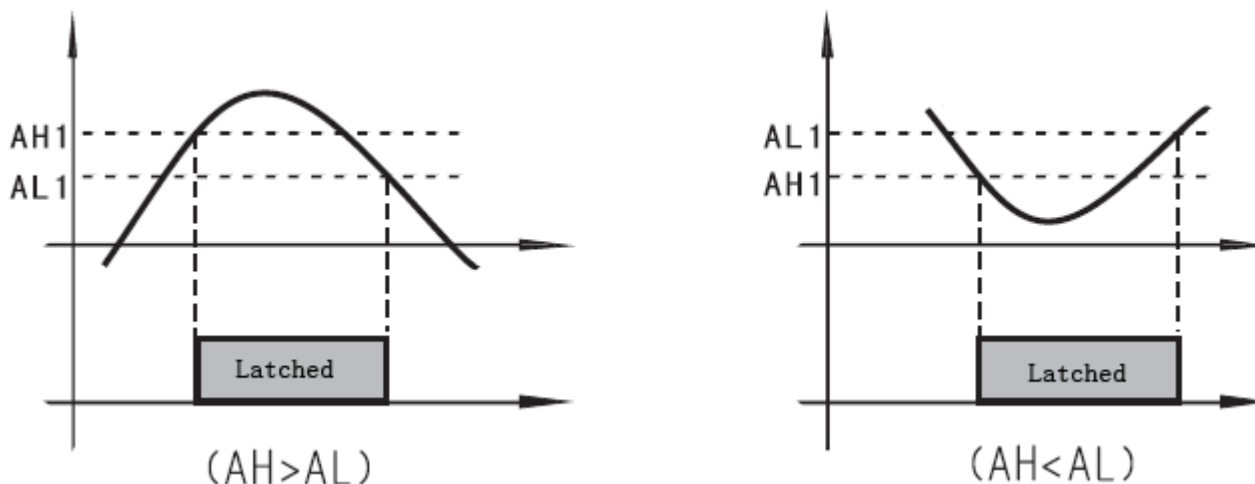
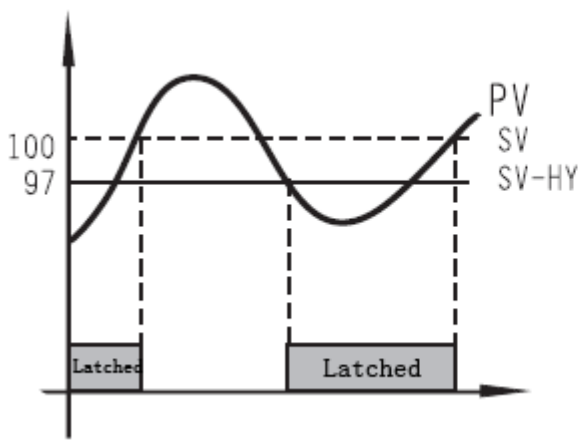
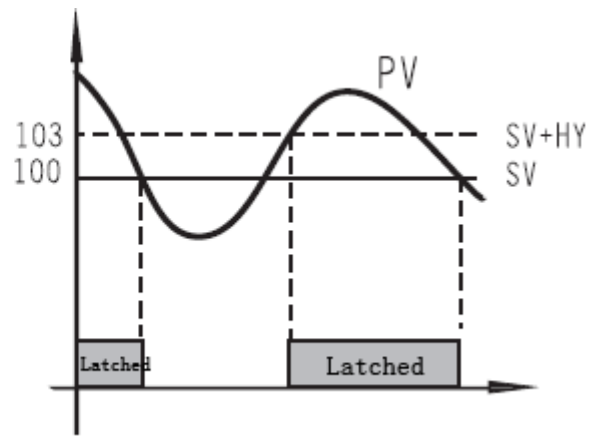


Fig. 2

- 0: Relay J1 and J2 as Alarm outputs; SSR and SV Disabled, it is normally used for upper/lower limits alarm trigger control. See Fig 2
- 1: Relay J1 alarm output; Relay J2 PID output controlled by SV. AH2, AL2 values are not used; SSR control output disabled. See Fig 2
- 2: Relay J1 and J2 as alarm outputs; SSR PID output 8V SSR signal. Target: SV
- 3. J1, J2 alarm output; differential control by SSR. See Fig 3
- 4. J1 alarm, differential control on J2, SSR disabled, AH2, AL2 disabled. See Fig 3



Rd=0 (heating)



Rd=1 (cooling)

Fig. 3

To initial:

$PV \leq (SV - HY)$
Relay latched or SSR On

To stop:

$PV \geq SV$
Relay unlatched or SSR off

$PV \geq (SV + HY)$
Relay latched or SSR On

$PV \leq SV$
Relay unlatched or SSR off

Note: $HY = AH - AL$

Initialization parameter setting

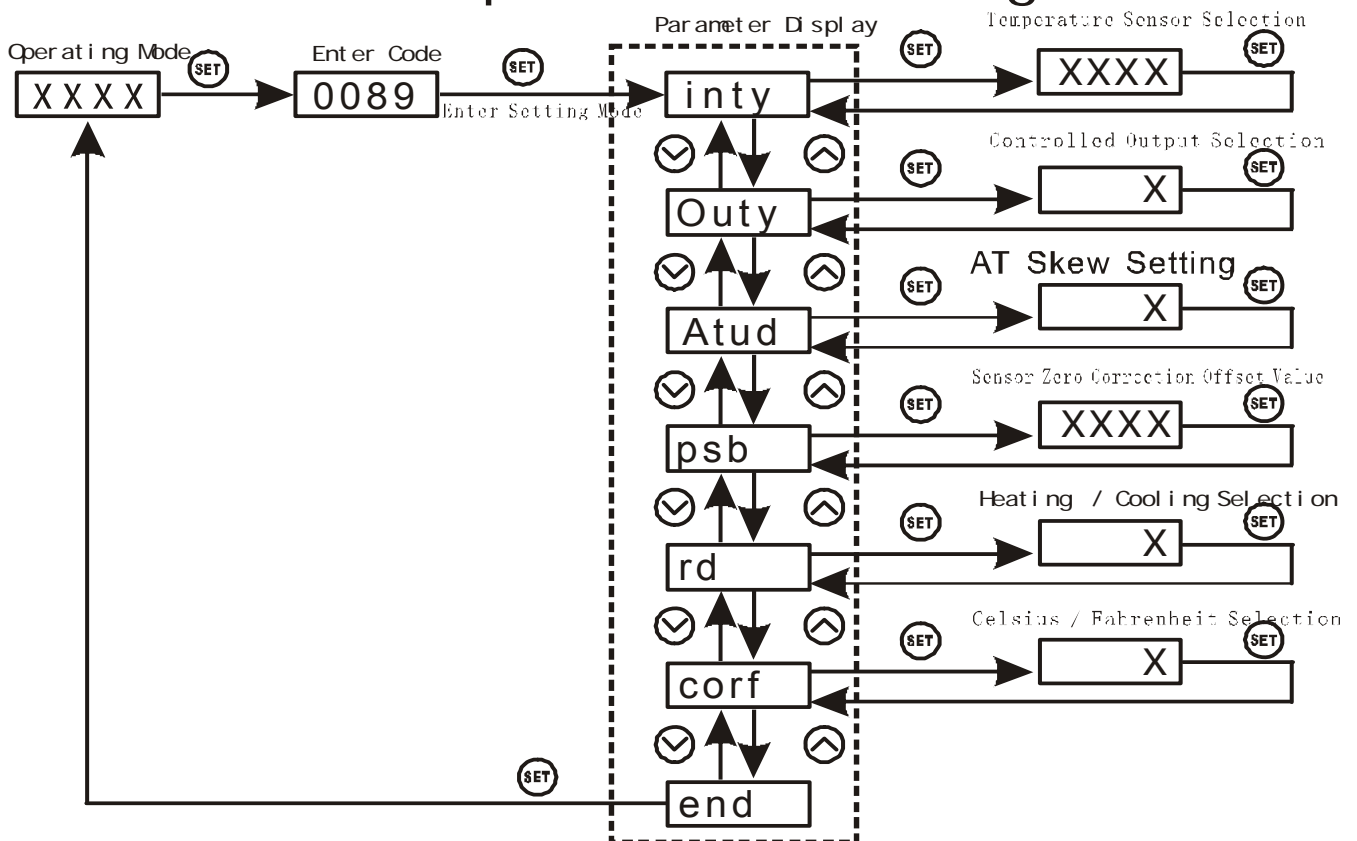


Figure 4.

b) To enter PID parameter setting mode press (SET), then enter code “0036”, press (SET) again.

Table 3. PID and Relevant Parameters:

Symbol	Description	Range	Default	Comment
P	Proportional Band	0.1 ~ 99.9 (%)	5.0	Note 4
I	Integration Time	2 ~ 1999 (Sec)	100	Note 5
d	Differentiation Time	0 ~ 399 (Sec)	20	Note 6
$SouF$	Overshoot Suppression Coefficient	0.0 ~ 1.0	0.2	Note 7
ot	Control Period	2 ~ 199 (Sec)	2	Note 8
$FILt$	Digital Filtering Strength	0 ~ 3	0	Note 9
End	Exit			

P, I and d parameters control the accuracy and respond time of the temperature controller. Auto-tuning is recommended for user who does not familiar PID control theory. P, I and d values should only be adjusted by professionals.

Note 4

Proportional Band (P): When P increases, fluctuation of object being controlled decreases. When P decreases, fluctuation of object being controlled increases. When P value is too small, system may become non-converge.

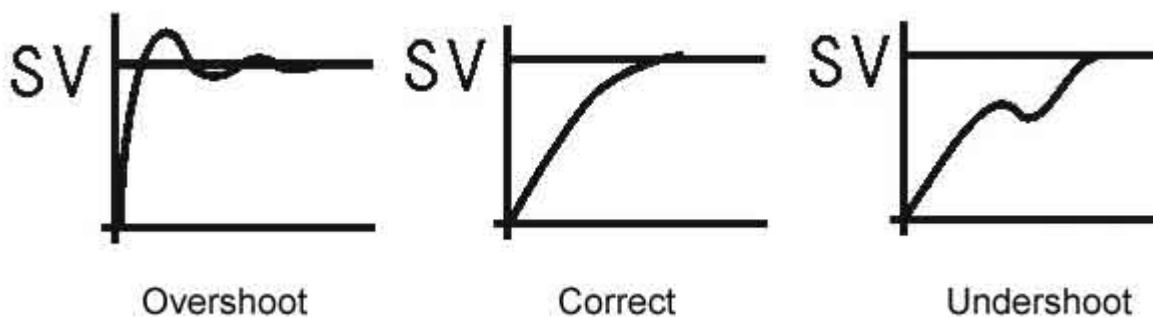
Note 5

Integration time (I): its purpose is to reduce static error. When I decrease, respond speed is faster but system is less stable. When I increase, respond speed is slower, but system is more stable.

Note 6

Differentiation time (d): its purpose is to control in advance and compensate delay. Setting d-value too small or too large would decrease system stability, oscillation or even non-converge.

Note 7



Overshoot suppression coefficient. When overshoot exists, increase SouF. When undershoot exists, decrease SouF.

Note 8

Control Period (ot): When ot gets smaller, heating/cooling cycle is driven faster, system respond speed is faster. But when using contact control (Relays), contacts wear out faster.

When contact control (Relay) is used, normally set $ot = 5 \sim 15$.

When non-contact control (SSR) is used, normally set $ot = 2$.

Note 9

Digital Filtering (Filt): $FILT=0$, filter disabled; $FILT=1$, weak filtering effect; $FILT=3$, strongest filtering effect; Stronger the filtering, more stable the readout, but has more readout display delay.

C) To enter temperature and alarm parameter setting mode press (SET), then enter code “0001”, press (SET) again.

Table 4. Temperature Setting and Alarm Related Parameters:

Symbol	Description	Range	Default	Comment
SV	Target Temperature (SV)	With testing range	80.0	
AL1	Relay Closed	With testing range	80.0	
AL1	Relay Opened	With testing range	90.0	
AL2	Relay Closed	With testing range	80.0	
AL2	Relay Opened	With testing range	90.0	
End	Exit			

5. Auto-Tuning

By simply press a single button the built-in artificial intelligent is activated to automatically calculate and set parameters (PID Soft) that fit the condition to be controlled.

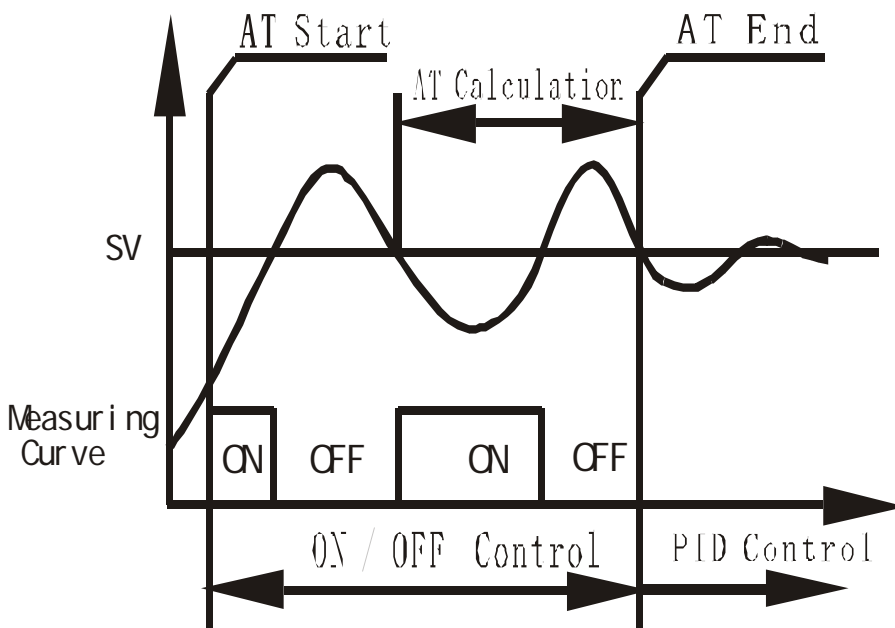


Figure 6.

a) How to Start and stop auto-tuning process:

i. To activate auto-tuning, press and hold (>) until “AT” indicator blinks, which indicates auto-tuning is in progress. When auto-tuning finish, “AT” indicator is off. Now newly calculated PID parameters are remembered and start to be used.

ii. To EXIT during auto-tuning process, press and hold (>) until “AT” indicator turns off. Then previous PID parameters values are resumed. . Note, in order to have auto-tuning to work properly, a closed-loop system must be established; that is a SSR, heater, thermocouple are all connected. It may take an hour or up to 24hrs to complete the Auto-tuning. The amount of time it take is totally depends on how complicated the environment that the controller being installed.

6. Connection Terminals (back view).

Polarity of power at terminal 1 and 2 do not matter. The “R” is not an external resistor; it is only available from the Pt-100 thermistor.

Relay J1: #3, #4 = normally closed, #4, #5 = normally open

Relay J2: #13, #14 = normally open

Pt100 - Red lead terminal 8

Blue leads to terminals 9 and 10

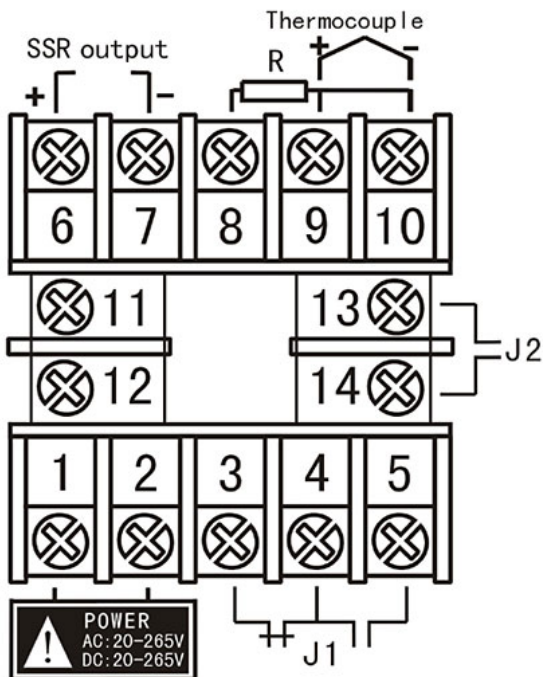
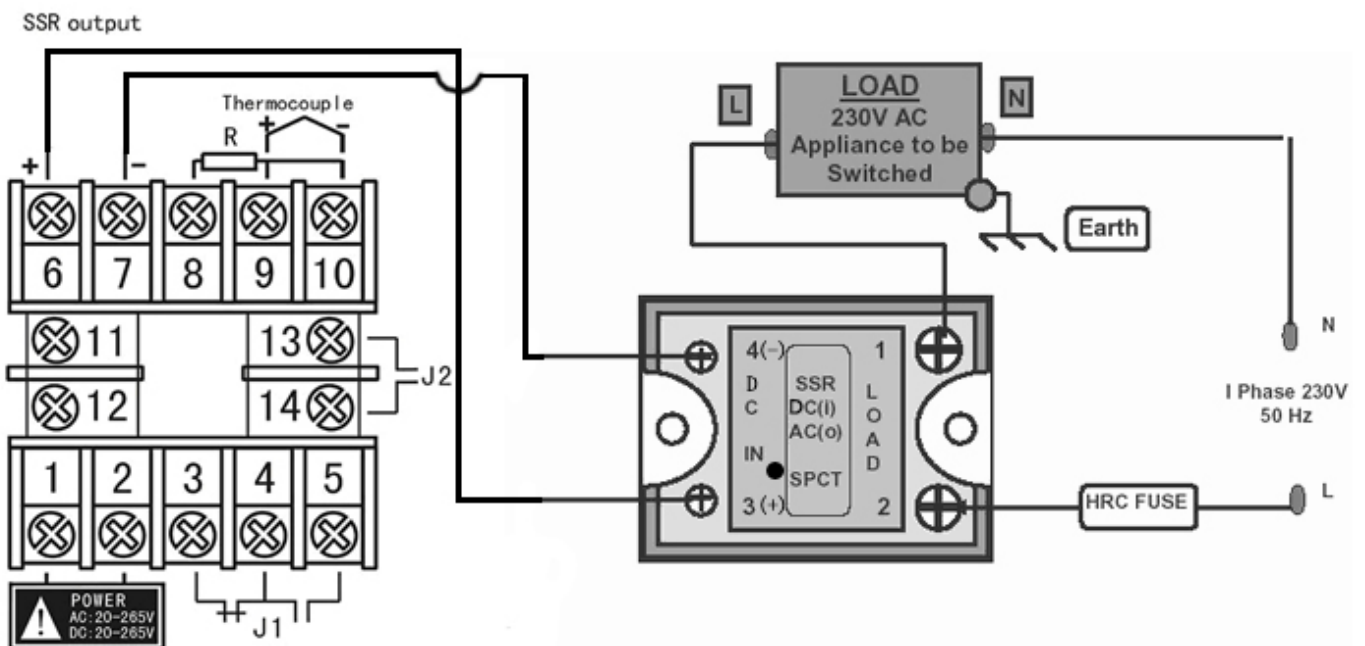


Fig 7

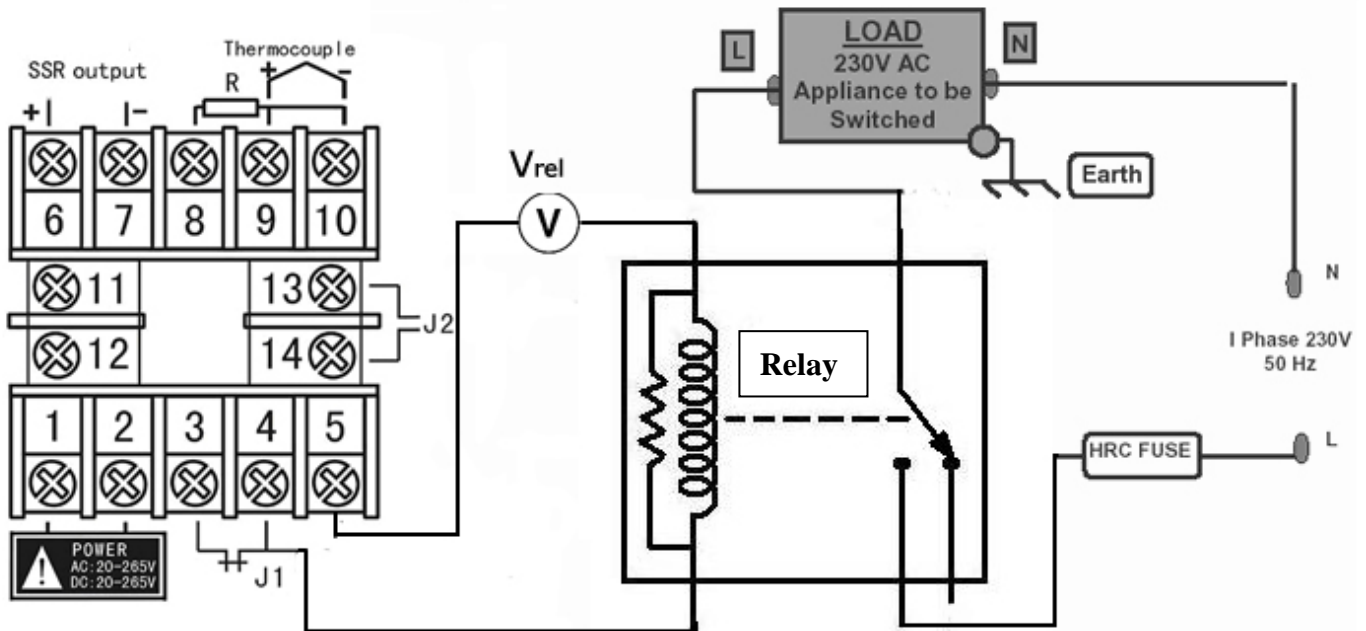
Note: terminal #11 is an opened slot and there is a diode installed for ambient temperature referencing. It's not a missing screw or defective. For DC type controller, the power is 12V ~ 32V. The 'R' is not a resistor but it is a feedback resistance from the PT-100 probe. Do not reverse + / - when installing a thermocouple. If so, the increment and decrement reading will be opposite. For PT100 probe, red wire goes to #8 while two blues wires go to #9,#10

SSR Control



Caution: a heat-sink is required for the SSR

Relay J1 Control



Note: V_{rel} can be AC or DC. It depends on the type of the relay it power

7. Device Application Example

a) User wants to control temperature (T) of a furnace, and 0 ~ 1000 deg Celsius sensor range is required. Furnace is wanted to be maintained at 800 deg C. Alarm1 will go off if $T > 850$ deg C, and Alarm2 will go off if $T < 750$ deg C. System power supply is AC110V. Installation opening is 45x45(mm). SSR will be used to control the heating element.

b) Choose JLD612 with a K-type thermocouple.

c) See figure for connection diagram.

d) Parameter setting:

$(Int Y) = 1$;	$(S u) = 800$ deg C;
$(o u t Y) = 2$;	$(A H 1) = 850$ deg C;
$(H Y) = 0.3$;	$(A L 1) = 848$ deg C;
$(P S d) = 0$;	$(A H 2) = 750$ deg C;
$(r d) = 0$;	$(A L 2) = 752$ deg C;
$(E o r F) = 0$;	

(auto-tuning is used to set PID parameters)

e) Power up the controller. Keep pressing (>) to activate auto-tuning. When "AT" stop blinking, new PID parameters are generated and recorded for the system. The controller back to normal operation mode and the furnace temperature will stay at 800 deg 'C.